

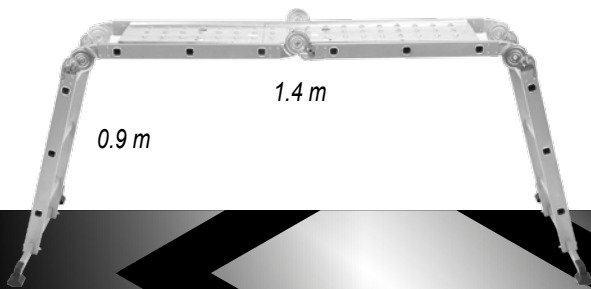
Multi-purpose 4x3 ladder
17704

- possibility of unfolding to multiple positions ensures versatile use of the ladder
- reinforced steel structure increases ladder durability
- small ladder size after folding facilitates its transport, carrying and storage



93.5 x 34.5 x 27 cm

- wide stabilizers remove the risk of toppling
- profiled anti-slip feet increase traction to the ground
- possibility of installing a 2-part VOREL platform (17705)



0.9 m

1.4 m



1.66 m



2.5 m



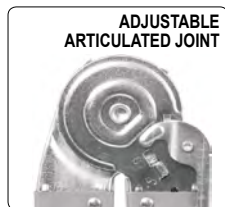
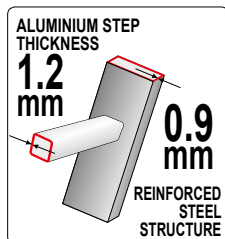
3.4 m

STEPS
STOPNIE
4x3

3.4 m
max

max
150
kg

16
kg



**2-part platform for the multipurpose
4x3 ladder (VOREL 17704)**

56x29.5
cm

83x29.5
cm

ZINC
PLATED
OCYNKOWANE

max
150
kg

17705

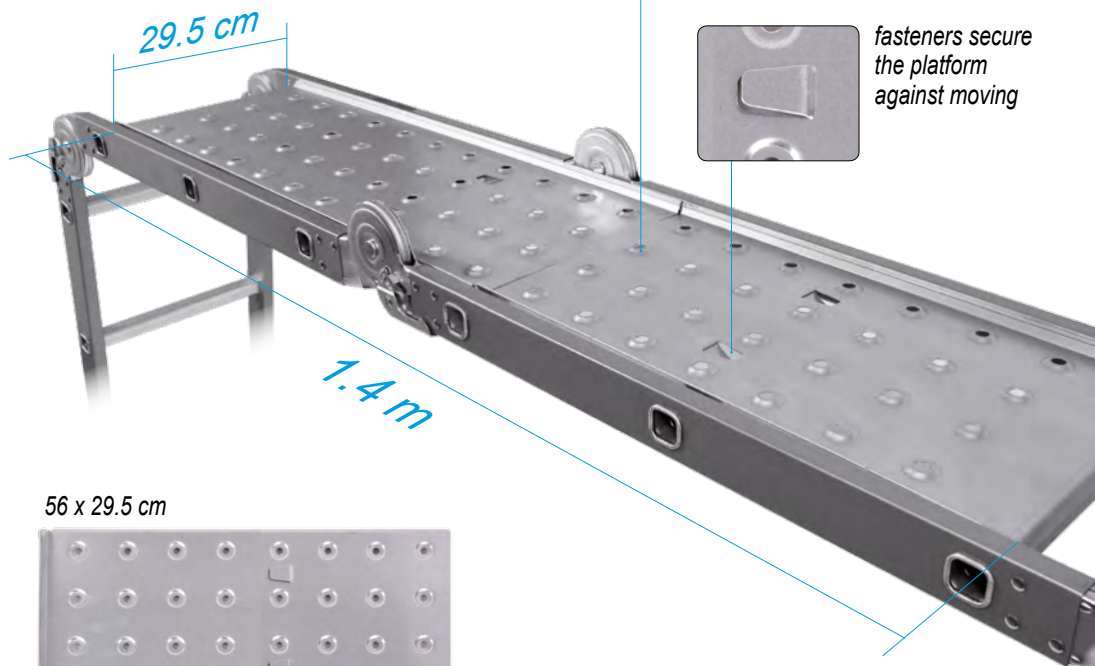
- large usable area reduces the necessity of frequent ladder rearrangement
- possibility of placing tools and materials on the platform increases the comfort of working
- strong steel platforms can bear the load of up to 150 kg



anti-slip
appendices
reduce the risk
of falling



fasteners secure
the platform
against moving



56 x 29.5 cm



83 x 29.5 cm

